

# DATA SHEET

## FI-FE UNION COCK

### 1. DESCRIPTION AND USE

#### 1.1. Description

- CW617N nickel-plated forging brass body, according to the European standard – PN-EN 12164
- CW617N chrome-plated forging brass ball
- PTFE Teflon double ball gasket
- the body and threads are made of laminated material and the internal valve sealing is provided by the PTFE Teflon gasket
- O-ring union gasket made of NBR
- CW617N forging brass handling spindle with cable gland



#### 1.2 Field of application

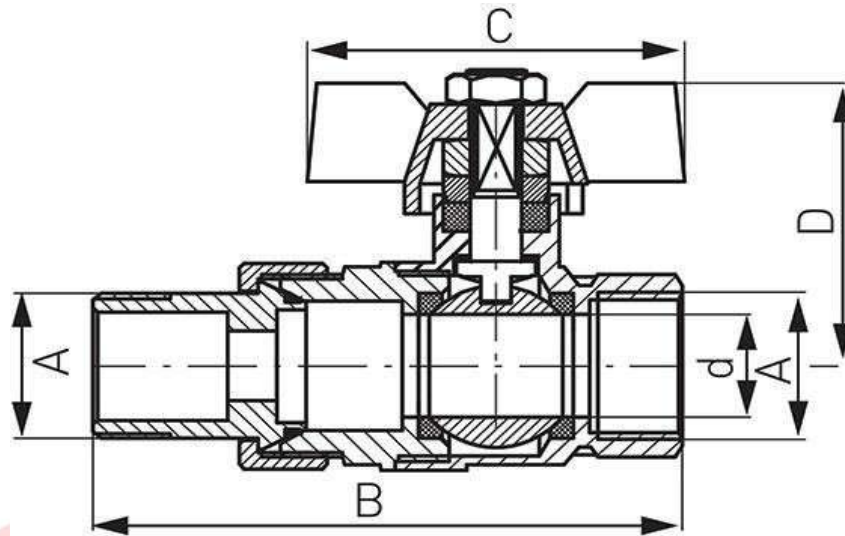
- in central heating systems
- in hot water, cold water distribution networks

### 2. PRODUCT RANGE

| Internal code | Connection | Colour   | Package content               |
|---------------|------------|----------|-------------------------------|
| NEOROB3/4     | 3/4"       | Chromium | cock, union, butterfly handle |
| NEOROB1       | 1"         | Chromium | cock, union, butterfly handle |

### 3. TECHNICAL CHARACTERISTICS

| DN | d [mm] | A [connection] | B [mm] | C [mm] | D [mm] | Flow rate m <sup>3</sup> /h | P nom [bar] | Max. temp. [°C] |
|----|--------|----------------|--------|--------|--------|-----------------------------|-------------|-----------------|
| 20 | 19     | 3/4"           | 93.5   | 63     | 45.6   | 15                          | 25          | 100             |
| 25 | 25     | 1"             | 109.5  | 63     | 50.1   | 25                          | 25          | 100             |



- metal butterfly lever painted red
- double Teflon gasket
- chrome-plated and polished ball
- quality control according to the European rules in force
- all cocks are leak tested
- housing marked according to the European rules
- internal surface suitable for potable water
- the surface of the cock in contact with water is not nickel plated

#### 4. ENDORSEMENTS AND APPROVAL

- the cocks have been issued approvals, technical approvals and potability/hygiene approvals valid for the Romanian market
- all cocks have been issued a Declaration of Conformity

#### 5. WARRANTY PERIOD

The warranty period is 24 months from the date of delivery, provided that the customer/user fully complies with the transport, handling and mounting rules.