

DATA SHEET

D1" ECCENTRIC CONNECTION SET

Internal code: NEOREXC

1. DESCRIPTION AND USE

1.1. Description

- CW617N nickel-plated brass body
- threaded connections: ISO 228-1:2000
- set composed of 2 eccentric connections
- with lock nut and sealing gasket



1.2 Field of application

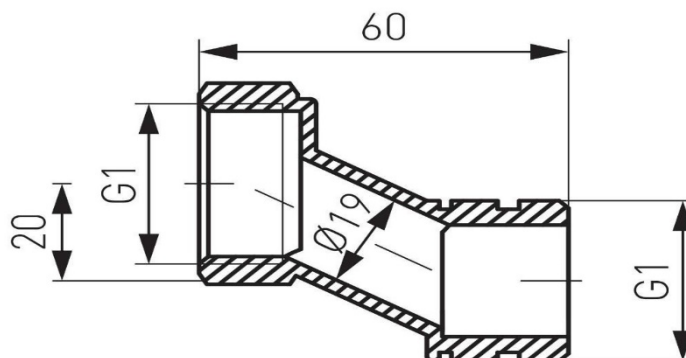
- The eccentric connections are used in underfloor heating systems.

2. PRODUCT RANGE

Connection	Colour	Package content
1"	Nickel	2 pcs Eccentric connections

3. TECHNICAL CHARACTERISTICS

Maximum working pressure	10 bar
Maximum operating temperature	90 °C



Characteristics

- quality control according to the European rules in force
- all connections are leak tested
- the dense pitch of the connecting thread ensures a secure and tight connection
- 2 pieces/set

4. USE AND MOUNTING RULES

- it facilitates the assembly of the mix kit for distributor-manifold kits with a distance between axes greater than 210 mm

5. ENDORSEMENTS AND APPROVAL

- all these connections have been issued a Declaration of Conformity

6. WARRANTY PERIOD

The warranty period is 24 months from the date of delivery, provided that the customer/user fully complies with the transport, handling and mounting rules.