

DATA SHEET

METAL BOX FOR THE MIX KIT AND CONTROL UNIT

1. DESCRIPTION AND USE

The NeoTer metal boxes can be used in various applications such as:

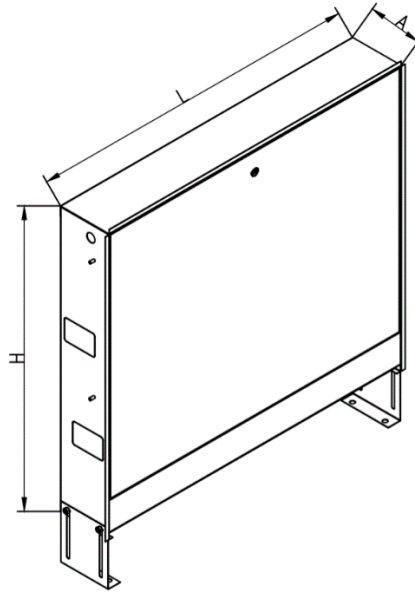
- underfloor heating systems



2. TECHNICAL

CHARACTERISTICS

- The boxes are made of steel sheet and painted in an electrostatic field, and they are highly resistant to corrosion.
- The doors of the boxes are equipped with locks that can be easily operated with a screwdriver or a coin.
- The sides are pre-cut for supplying the manifold/distributor kit on the side.
- The depth of the boxes can be adjusted between 120-180 mm and the legs can be adjusted up to 100 mm.
- Two guide rails are mounted on the back to facilitate the installation of the distributor-manifold inside the boxes. An omega profile is provided on the upper part of these rails to support the control unit.
- The boxes are provided with holes on the back for fixing the omega profile
- Flush mounting.



Name	Internal code	L [mm]	H [mm]	A [mm]
NEOTER 715X550X120-180 METAL BOX (2-5 circ.)	NEOCM715	715	550-650	120-180
NEOTER 810X550X120-180 METAL BOX (6-7 circ.)	NEOCM810	810	550-650	120-180
NEOTER 965X550X120-180 METAL BOX (8-10 circ.)	NEOCM965	965	550-650	120-180
NEOTER 1060X550X120-180 METAL BOX (11-12 circ.)	NEOCM1060	1060	550-650	120-180

3. WARRANTY PERIOD

The warranty period is 24 months from the date of delivery, provided that the customer/user fully complies with the transport, handling and mounting rules.